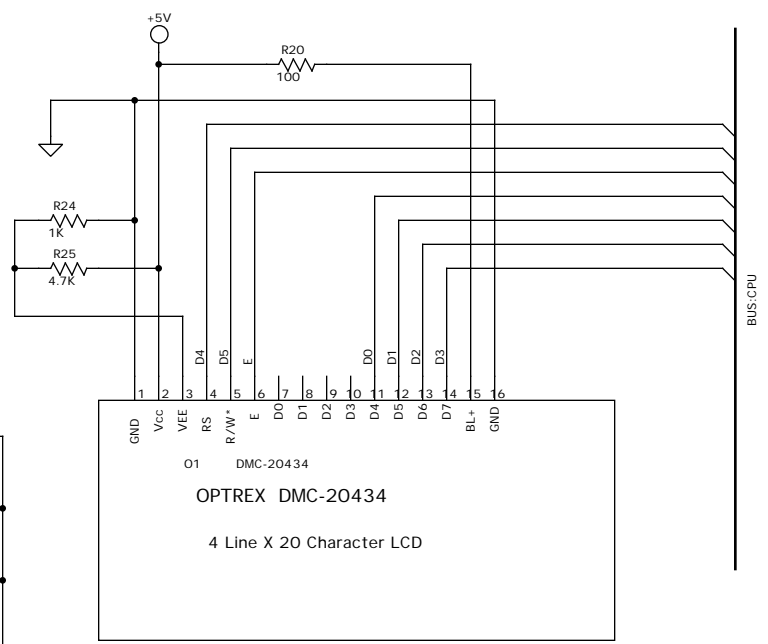


User Interface



Rev. 10/18/2002